



TUNGSTEN
CARBIDE
BURR

2 0 2 4



PGA INDUSTRIAL PRODUCTS

INDUSTRIAL SOLUTIONS

ABOUT US



PGA INDUSTRY, WITH ITS 20 YEARS OF EXPERIENCE IN THE ABRASIVES SECTOR, BRINGS USERS TOGETHER WITH SPECIALLY SELECTED PRODUCT GROUPS FOR DIFFERENT SECTORS.

RAISING THE INDUSTRY STANDARDS IN TIMELY DELIVERY WITH ITS HIGH QUALITY SUPPLY CHAIN MANAGEMENT SYSTEM, PGA IS PLEASED TO OFFER ITS CUSTOMERS THE BEST PRICE/PERFORMANCE PRODUCTS.

WITH ITS TECHNICAL FIELD SERVICE, PGA OFFERS ITS CUSTOMERS THE HIGH QUALITY OF SERVICE REQUIRED BY THE MANUFACTURING INDUSTRY, PROVIDING THEM WITH CUSTOMIZED SOLUTIONS ACCORDING TO THEIR APPLICATIONS AND NEEDS, ESPECIALLY FOR THE FOUNDRY, SHIPYARD AND AUTOMOTIVE SECTORS.

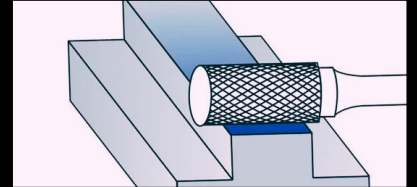
PGA INDUSTRIAL PRODUCTS



PRODUCT RANGE



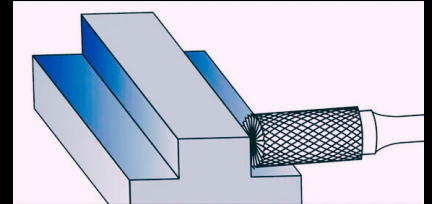
ZYA



Area: Contour, Flat Surfaces
Material: Steel, Stainless Steel,
Aluminum, Non-ferrous Metals



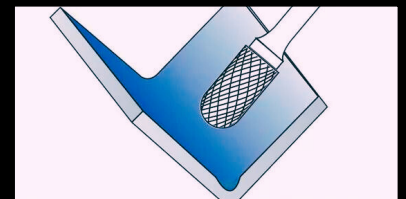
ZYB with end cut



Area: Contour, angled corners
Material: Steel, Stainless Steel,
Aluminum, Non-ferrous Metals



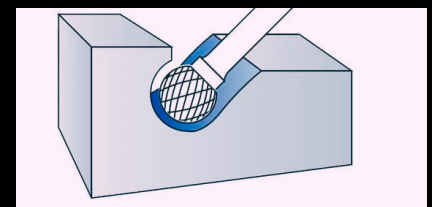
WRC



Area: Contour, angled corners
Material: Steel, Stainless Steel,
Aluminum, Non-ferrous Metals



KUD

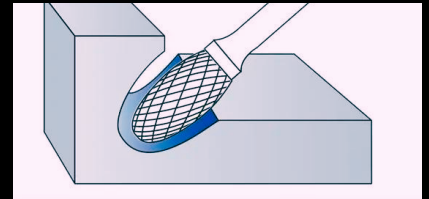


Area: Round edges
Material: Steel, Stainless Steel,
Aluminum, Non-ferrous Metals

PRODUCT RANGE



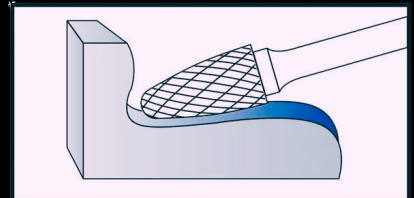
TRE



Area: Round edge
Material: Steel, Stainless Steel,
Aluminum, Non-ferrous Metals



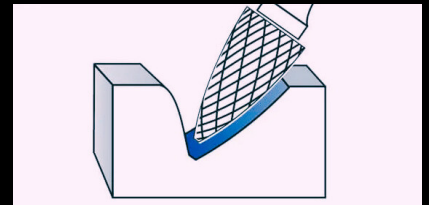
RBF



Area: Round edge, long&narrow areas
Material: Steel, Stainless Steel,
Aluminum, Non-ferrous Metals



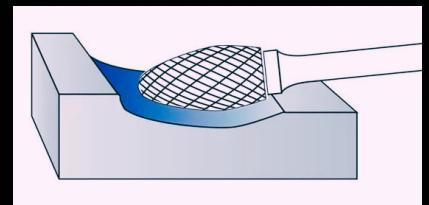
SPG



Area: Contour, long&narrow areas
Material: Steel, Stainless Steel,
Aluminum



SH



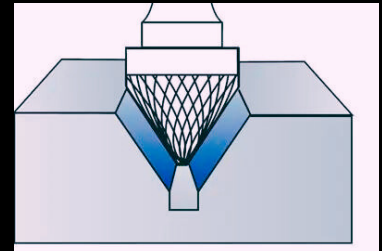
Area: Round edges
Material: Steel, Stainless Steel,
Aluminum

PRODUCT RANGE



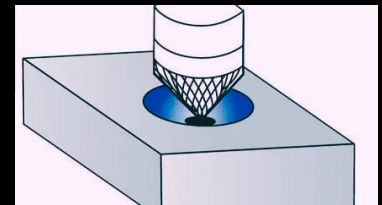
KSJ

Area: Chamfering
Material: Steel, Stainless Steel,
Aluminum



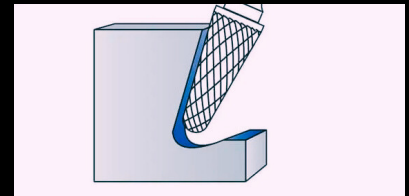
KSK

Area: Round edge, long&narrow areas
Material: Steel, Stainless Steel,
Aluminum



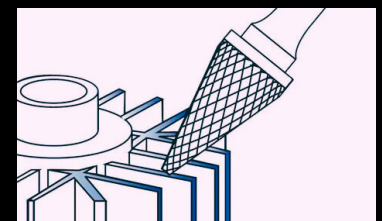
KEL

Area: Contour, long&narrow areas
Material: Steel, Stainless Steel,
Aluminum, Non-ferrous Metals



SKM

Area: Round edges
Material: Steel, Stainless Steel,
Aluminum

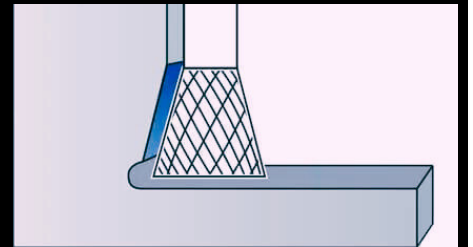


PRODUCT RANGE



WKN

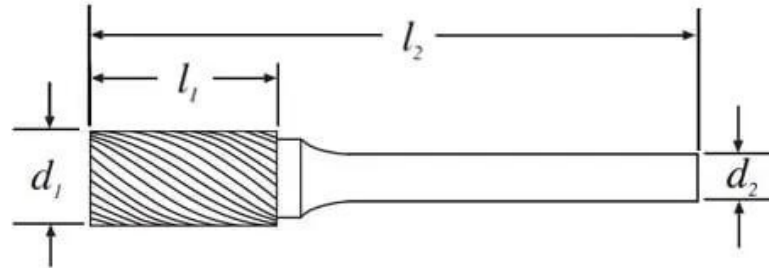
Area: Chamfering
Material: Steel, Stainless Steel,
Aluminum



AVAILABLE SIZES



Cut Diameter	Cut Length	Shank Diameter	Overall Length
3	12	6	50
3	16	6	50
4	16	6	50
5	16	6	50
6	16	6	50
6	25	6	50
8	19	6	63
9.5	19	6	63
9.5	25	6	69
9.5	38	6	83
11	25	6	69
12	25	6	69
16	25	6	69
19	12	6	57
19	19	6	63
19	25	6	69
22	25	6	69
25	25	6	69

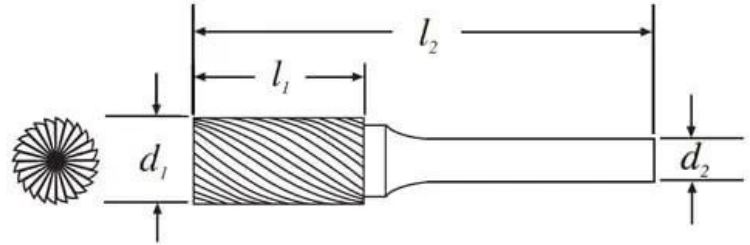


ZYA

AVAILABLE SIZES



Cut Diameter	Cut Length	Shank Diameter	Overall Length
3	12	6	50
3	16	6	50
4	16	6	50
5	16	6	50
6	16	6	50
6	25	6	50
8	19	6	63
9.5	19	6	63
9.5	25	6	69
9.5	38	6	83
11	25	6	69
12	25	6	69
16	25	6	69
19	12	6	57
19	19	6	63
19	25	6	69
22	25	6	69
25	25	6	69

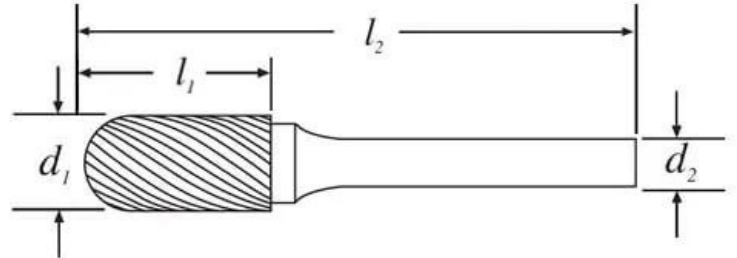


ZYB WITH END CUT

AVAILABLE SIZES



Cut Diameter	Cut Length	Shank Diameter	Overall Length
3	12	6	50
3	16	6	50
4	16	6	50
5	16	6	50
6	16	6	50
6	25	6	50
8	19	6	63
9.5	19	6	63
9.5	25	6	69
9.5	38	6	83
11	25	6	69
12	25	6	69
16	25	6	69
19	12	6	57
19	19	6	63
19	25	6	69
22	25	6	69
25	25	6	69

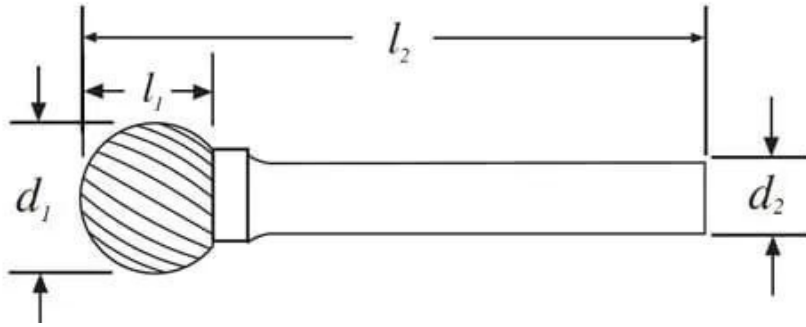


WRC

AVAILABLE SIZES



KUD

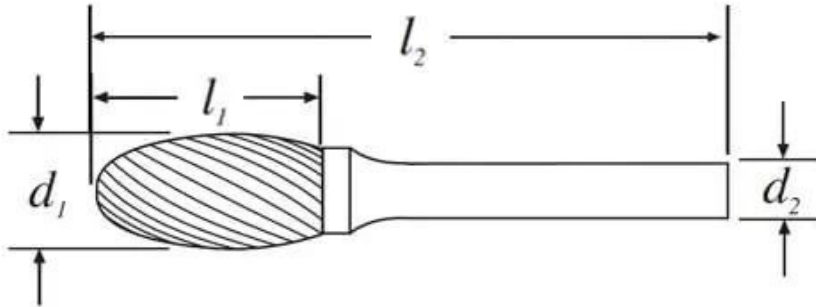


Cut Diameter	Cut Length	Shank Diameter	Overall Length
3	2.5	6	50
5	3	6	50
6	5	6	50
8	6.4	6	51
9.5	8	6	53
11	9.5	6	54
12	11	6	56
16	14	6	59
19	16	6	60
25	21	6	66
30	28	6	73

AVAILABLE SIZES



TRE

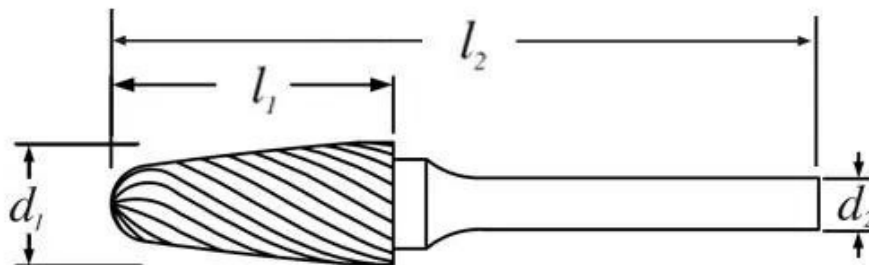


Cut Diameter	Cut Length	Shank Diameter	Overall Length
5	8	6	50
6	9.5	6	50
8	19	6	63
9.5	16	6	61
12	22	6	67
16	25	6	69
19	25	6	69

AVAILABLE SIZES



RBF

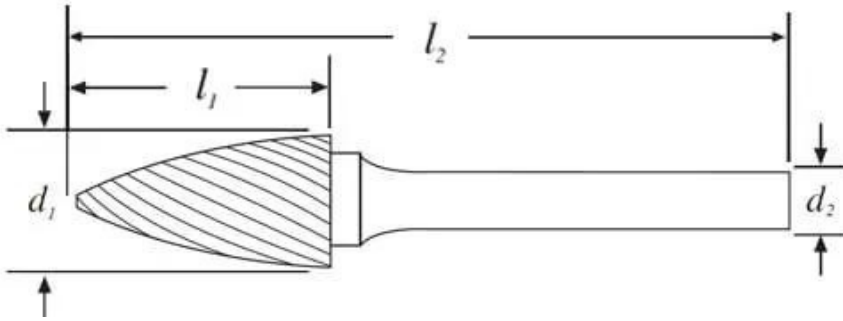


Cut Diameter	Cut Length	Shank Diameter	Overall Length
3	13	6	50
6	19	6	50
8	19	6	63
9.5	19	6	63
11	25	6	69
12	19	6	63
12	25	6	69
16	25	6	69
19	25	9.5	69
19	32	6	76
19	38	6	83
19	38	9.5	83

AVAILABLE SIZES



SPG

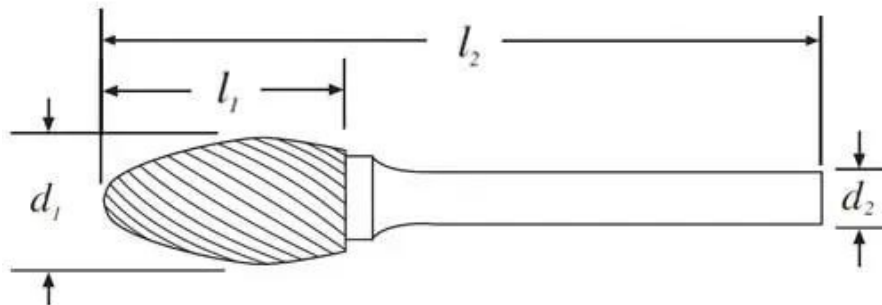


Cut Diameter	Cut Length	Shank Diameter	Overall Length
6	16	6	50
8	19	6	63
9.5	19	6	63
12	19	6	63
12	25	6	69
16	30	6	75
16	25	6	69
19	25	6	69
19	38	6	83

AVAILABLE SIZES



SH

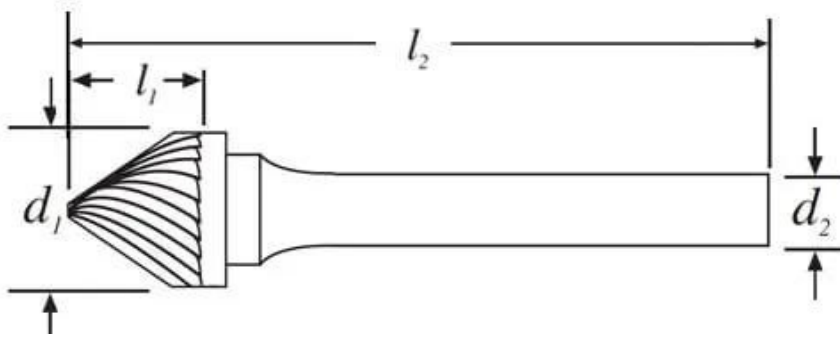


Cut Diameter	Cut Length	Shank Diameter	Overall Length
6	16	6	50
8	19	6	63
10	25	6	69
12	32	6	76
16	36	6	81
19	41	6	86
19	41	9.5	86

AVAILABLE SIZES



KSJ

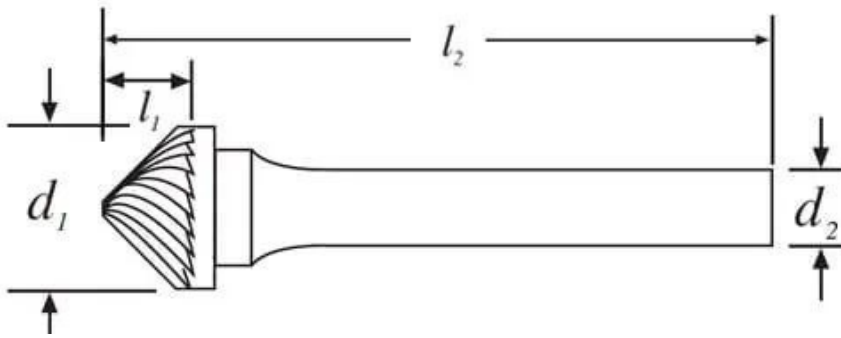


Cut Diameter	Cut Length	Shank Diameter	Overall Length
6	5	6	50
9.5	8	6	53
12	11	6	56
16	14.5	6	59
19	17.5	6	62
25	24.5	6	69

AVAILABLE SIZES



KSK

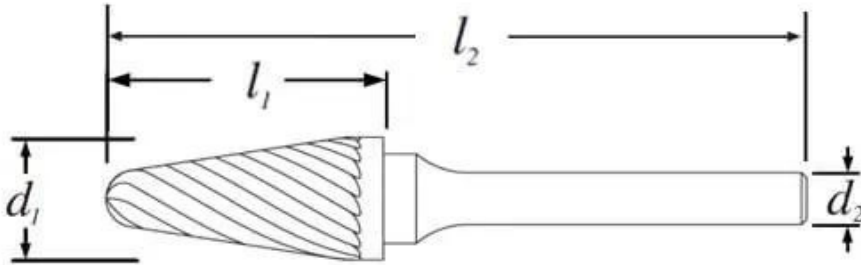


Cut Diameter	Cut Length	Shank Diameter	Overall Length
6	3	6	50
9.5	5	6	50
12	6	6	50
16	8	6	53
19	9.5	6	54
25	12.7	6	57

AVAILABLE SIZES



KEL

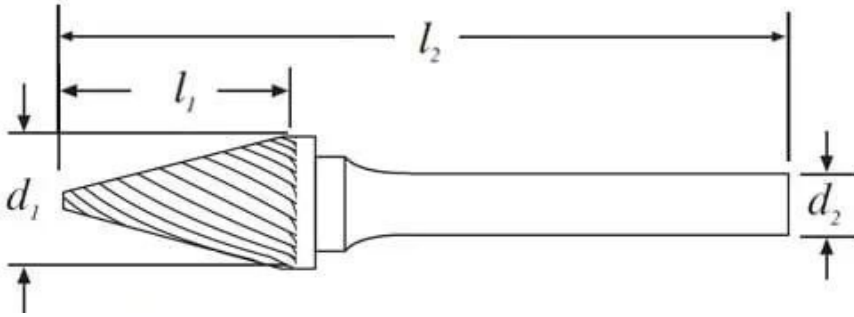


Cut Diameter	Cut Length	Shank Diameter	Overall Length
6	16	6	50
8	22	6	67
9.5	27	6	72
12	28	6	73
14	20	6	65
14	25	6	70
14	30	6	75
16	30	6	75
16	33	6	78
16	33	9.5	78
19	38	6	83

AVAILABLE SIZES



SKM

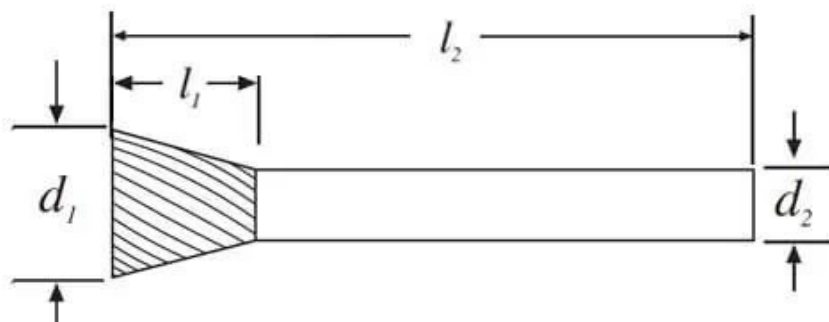


Cut Diameter	Cut Length	Shank Diameter	Overall Length
6	13	6	50
6	19	6	50
6	25	6	50
9.5	16	6	63
12	22	6	69
16	25	6	70

AVAILABLE SIZES



WKN



Cut Diameter	Cut Length	Shank Diameter	Overall Length
6	8	6	50
9.5	9.5	6	54
12	12	6	63
16	19	6	63
19	16	6	61

CUSTOMIZED SOLUTIONS FOR THE INDUSTRY



TUNGSTEN
CARBIDE
BURR

2 0 2 4



PGA INDUSTRIAL PRODUCTS